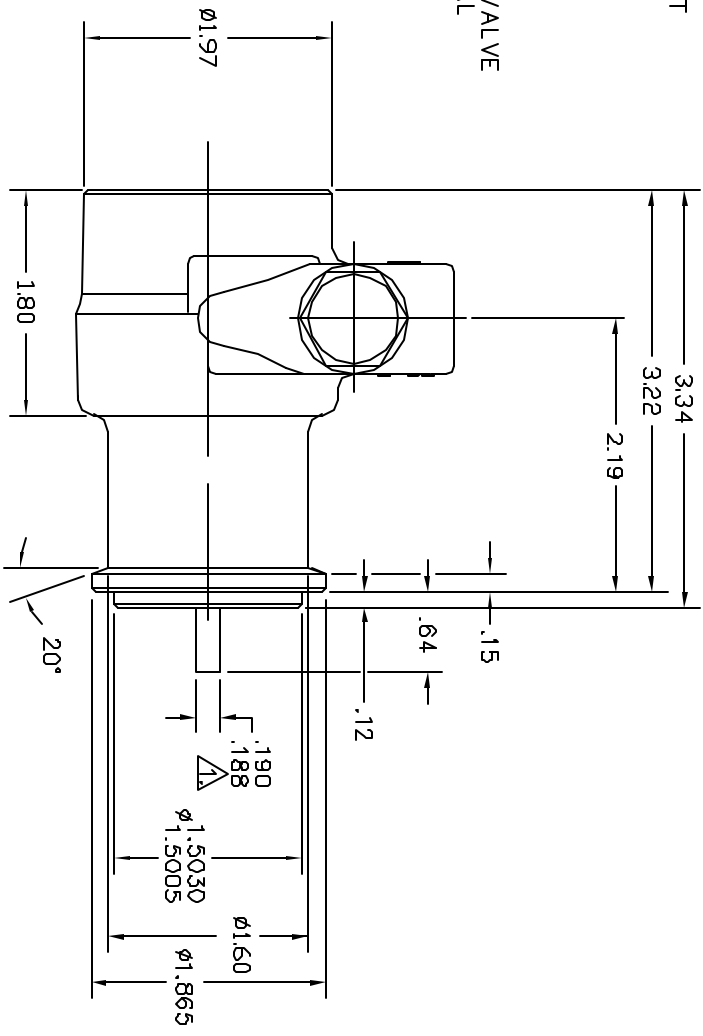
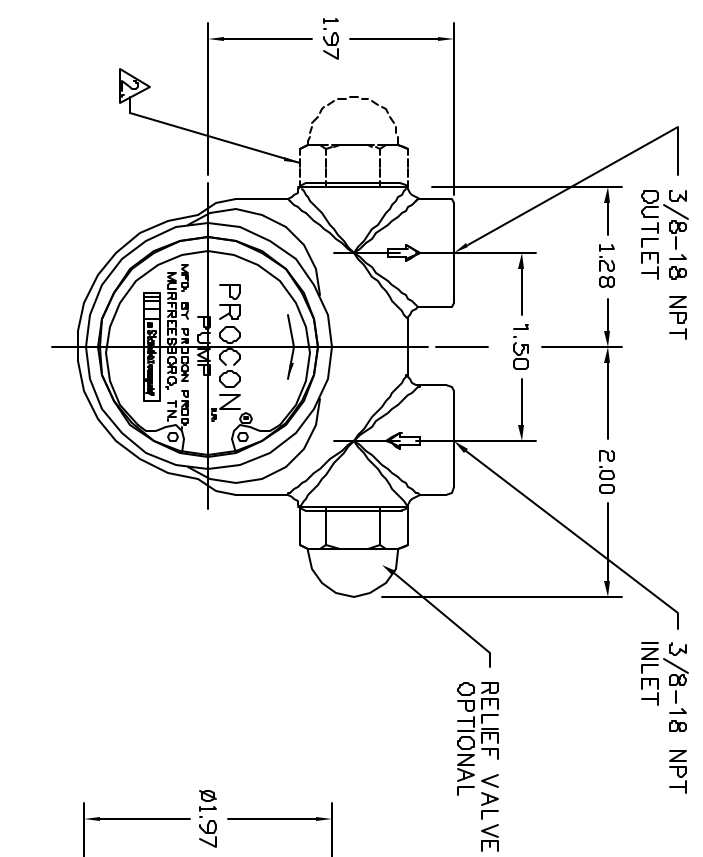


| REV. | DATE | DESCRIPTION OF CHANGE | BY | APP'D |
|------|--------|---|-----|--------|
| E | 1-2-04 | REVISED AND REBRAIN TO SHOW NEW LIGHTWEIGHT HOUSING | MEA | 1-6-04 |



| | |
|--------------------------|----------------|
| PUMP CAPACITY @ 1725 RPM | |
| FLOW RATE | PRESSURE RANGE |
| 15 AND 25 GPH | 0 TO 200 PSI |
| 35 TO 140 GPH | 0 TO 250 PSI |

NOTES:
 ▲ SHAFT SIZE IS .436/.435 ϕ .
 ▲ FOR REVERSE ROTATION PUMP, THE RELIEF VALVE WOULD BE LOCATED ON THE OPPOSITE SIDE AND THE INLET PORT, OUTLET PORT, FLOW DIRECTION ARROWS, AND NAMEPLATE ARROW WOULD BE REVERSED.

| | | |
|---|--|---|
| MATERIAL | THIRD ANGLE PROJECTION | |
| UNLESS OTHERWISE SPECIFIED: REMOVE BURRS AND SHARP EDGES. MACHINED SURFACE ROUGHNESS 125 MICRONS IN Ra. TOLERANCES: DIMENSIONS ARE REFERENCE | Procon Products A Division of Robinson Industries 125 MICRONS IN Ra. TOLERANCES: DIMENSIONS ARE REFERENCE | |
| THIS DRAWING CONTAINS CONFIDENTIAL INFORMATION AND IS THE EXCLUSIVE PROPERTY OF PROCON. IT IS TO BE KEPT IN CONFIDENTIAL FORM, WITHOUT THE EXPRESS WRITTEN AUTHORITY OF PROCON. | TITLE OUTLINE, PUMP-SERIES "2" MOUNTING "A" 1/2" OR 5/8" VANE PUMP | SCALE FULL DRAWN MEA DATE 1-2-04 CHECKED DATE 1-2-04 DRAWING NO. 2054 |
| DO NOT SCALE DRAWING | SHEET 1 | OF 1 |