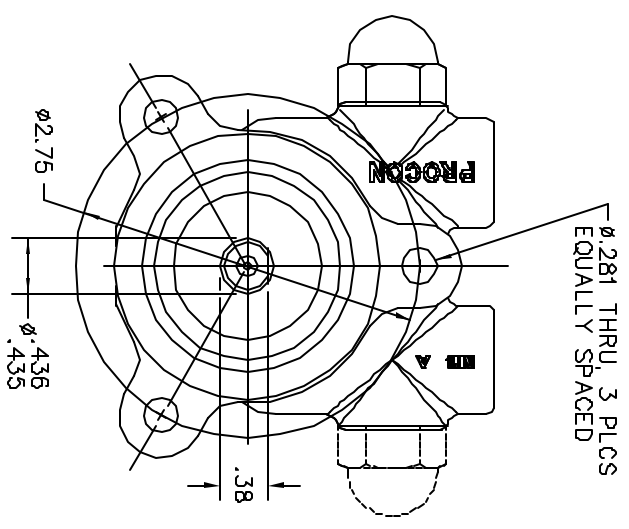
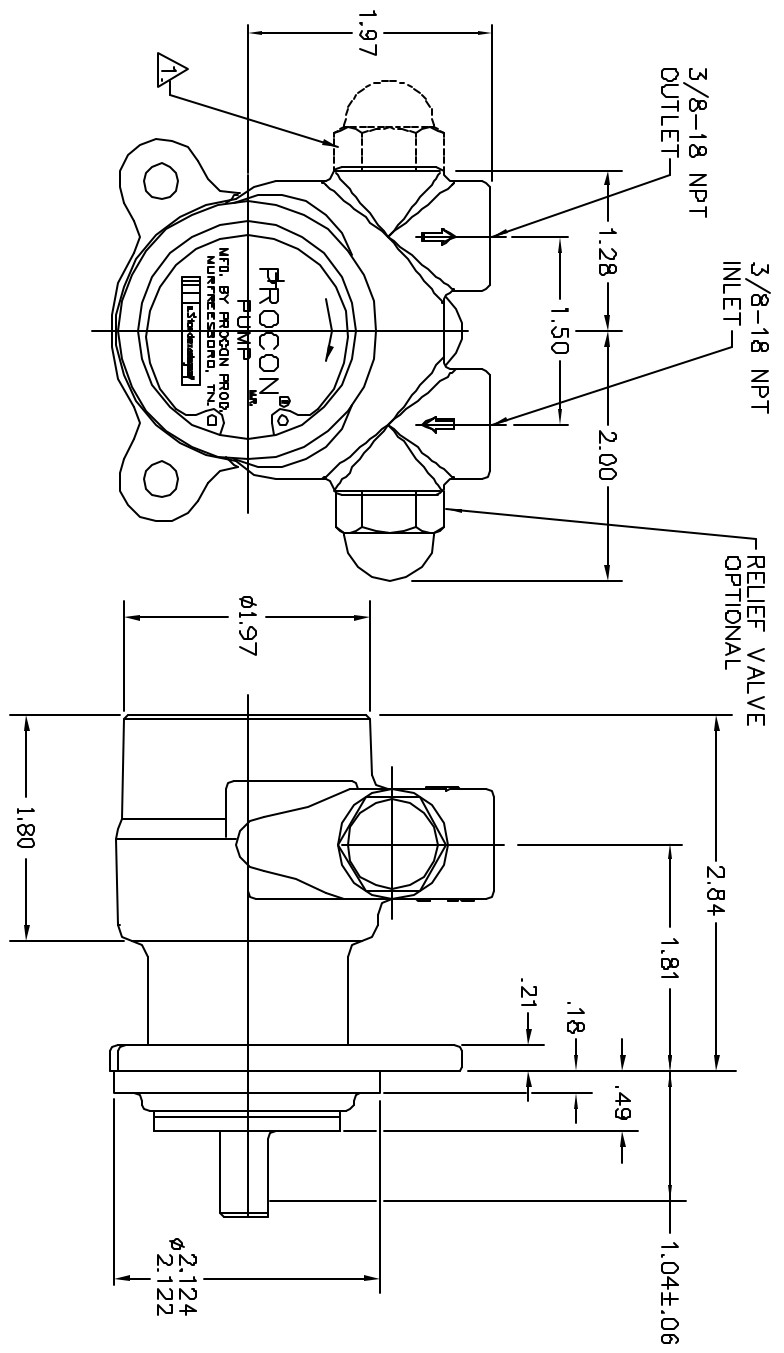


REV.	DATE	DESCRIPTION OF CHANGE	BY	APP'D
C	1-2-04	REVISED AND REORIENTED TO NEW LIGHTWEIGHT HOUSING SPECIFICATIONS	MEA	1-22-04



PUMP CAPACITY @ 1725 RPM	
FLOW RATE	PRESSURE RANGE
15 AND 25 GPH	0 TO 200 PSI
35 TO 140 GPH	0 TO 250 PSI

NOTES:  
 ▲ FOR REVERSE ROTATION PUMP, THE RELIEF VALVE WOULD BE LOCATED ON THE OPPOSITE SIDE AND THE INLET PORT, OUTLET PORT, FLOW DIRECTION ARROWS, AND NAMEPLATE ARROW WOULD BE REVERSED.

MATERIAL	UNLESS OTHERWISE SPECIFIED: REMOVE BURRS AND SHARP EDGES. MACHINED SURFACE ROUGHNESS 125 MICROINCHES Ra. TOLERANCES: DIMENSIONS ARE REFERENCE
THIRD ANGLE PROJECTION	
Procon Products A Division of Hobasht Industries 125 W. Main Street, Knoxville TN 37902	
TITLE	OUTLINE, PUMP-SERIES "2" MOUNTING "E"
SCALE	1/2" OR 5/8" VANE PUMP
DESIGNER	DATE
KGW	10-11-90
RECORDED	DATE
RCS	10-24-90
DO NOT SCALE DRAWING	DRAWING NO. 2064
SHEET 1	OF 1

THIS DRAWING CONTAINS CONFIDENTIAL INFORMATION AND IS THE EXCLUSIVE PROPERTY OF PROCON PRODUCTS. IT IS TO BE KEPT IN CONFIDENTIAL FORM, WITHOUT THE EXPRESS WRITTEN AUTHORITY OF PROCON.